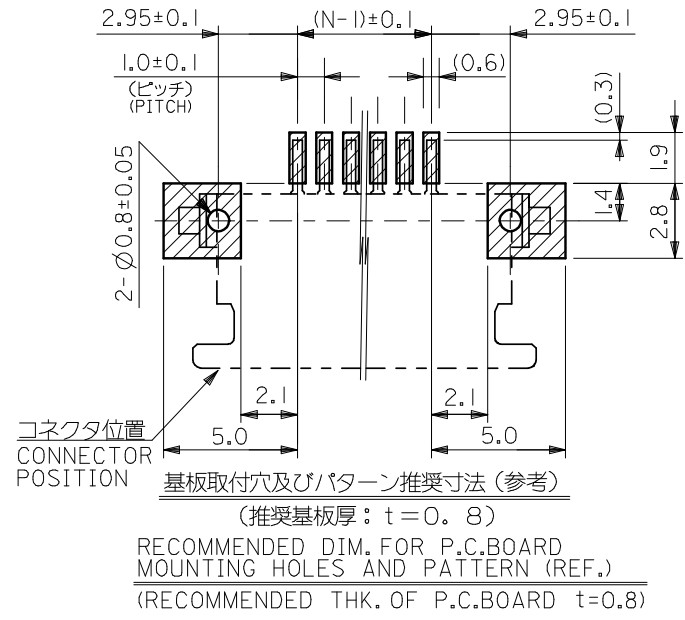
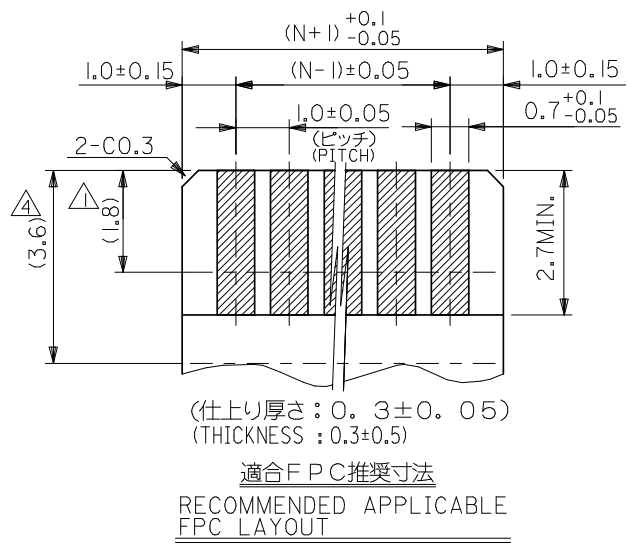


SECT. D-D

25	21.2	19	52270-2019	20
23	19.2	17	-1819	18
21	17.2	15	-1619	16
19	15.2	13	-1419	14
17	13.2	11	-1219	12
15	11.2	9	-1019	10
13	9.2	7	52270-0819	8
C	B	A	MATERIAL NO.	極数 CIRCUIT
			MODEL NO.	52270-**19

- 注記 NOTES
- 接点部までの嵌合長さ。
LENGTH TO CONTACT POINT
 - 使用材料
MATERIAL
ハウジング : 46ナイロン, UL94V-0
HOUSING : 46NYLON, UL94V-0
アクチュエータ : PPS, UL94V-0
ACTUATOR : PPS, UL94V-0
ターミナル : リン青銅, ニッケル下地 錫ビスマスマッキ (t=0.25)
TERMINAL : PHOSPHOR BRONZE, TIN-BISMUTH OVER NICKEL PLATING (t=0.25)
金具 : リン青銅, 錫メッキ (t=0.25)
FITTING NAIL : PHOSPHOR BRONZE, TIN-PLATED (t=0.25)
 - 位置決め及びパターンはくり止め用金具
FITTING NAIL FOR POSITIONING AND BY WAY OF PREVENTION OF PEELING OFF P.C.B. PATTERN.
 - FPC挿入深さ。
INSERTION DEPTH OF FPC
 - 本製品は52270-**17の鉛フリー品である。
THIS PRODUCT IS LEAD FREE OF 52270-**17.

REVISED EC NO: J2008-1779 DRW: NAKAMURAA 2008/04/07 CHKD: T. HARUYAMA 2008/04/22 APPR: NUKITA 2008/04/23	DESCRIPTION REV	GENERAL TOLERANCES (UNLESS SPECIFIED)		DIMENSION STYLE MM ONLY		SCALE ---	DESIGN UNITS METRIC	THIRD ANGLE PROJECTION	
		10 UNDER	±0.2	DRAWN BY Y. WADA	DATE '04/05/07	TITLE 1.0 FPC CONN ZIF SMT (BOTTOM CONTACT) -LEAD FREE-			
		10 OVER 30 UNDER	±0.25	CHECKED BY M. SASAO	DATE '04/05/07	MOLEX INCORPORATED			
		30 OVER	±0.3	APPROVED BY M. SASAO	DATE '04/05/07	MATERIAL NO.	DOCUMENT NO.	SHEET NO. 1 OF 2	
		ANGULAR	±3 °	DRAFT WHERE APPLICABLE MUST REMAIN WITHIN DIMENSIONS		SEE TABLE		SD-52270-005	



FPCについて:

打抜き方向は導体側から補強板を推奨致します。
 補強フィルム材質はポリイミドを推奨致します。
 接着剤は熱硬化接着剤を推奨致します。

ABOUT FPC:

RECOMMENDED PUNCHER DIRECTION : FROM CONDUCTOR SIDE TO STIFFENER BOARD SIDE.
 RECOMMENDED MATERIAL :
 STIFFENER FILM : POLYIMIDE
 BONDING AGENT : THERMOSETTING BONDING AGENT

REVISED EC NO: J2008-1779 DRW: NAKAMURAA 2008/04/01 CH: KD: T. HARUYAMA 2008/04/22 APPR: NUKITA 2008/04/23	GENERAL TOLERANCES (UNLESS SPECIFIED)		DIMENSION STYLE MM ONLY		SCALE ---	MODEL NO. 52270-***19	DESIGN UNITS METRIC	THIRD ANGLE PROJECTION
	10 UNDER	± 0.2	DRAWN BY Y. WADA	DATE '04/05/07	TITLE 1.0 FPC CONN ZIF SMT (BOTTOM CONTACT) -LEAD FREE-			
	10 OVER 30 UNDER	± 0.25	CHECKED BY M. SASAO	DATE '04/05/07	MOLEX INCORPORATED			
	30 OVER	± 0.3	APPROVED BY M. SASAO	DATE '04/05/07	DOCUMENT NO. SD-52270-005		SHEET NO. 2 OF 2	
	ANGULAR	$\pm 3^\circ$	MATERIAL NO. SEE SHEET 1 OF 2					
	DRAFT WHERE APPLICABLE MUST REMAIN WITHIN DIMENSIONS		SIZE A3		THIS DRAWING CONTAINS INFORMATION THAT IS PROPRIETARY TO MOLEX INCORPORATED AND SHOULD NOT BE USED WITHOUT WRITTEN PERMISSION			